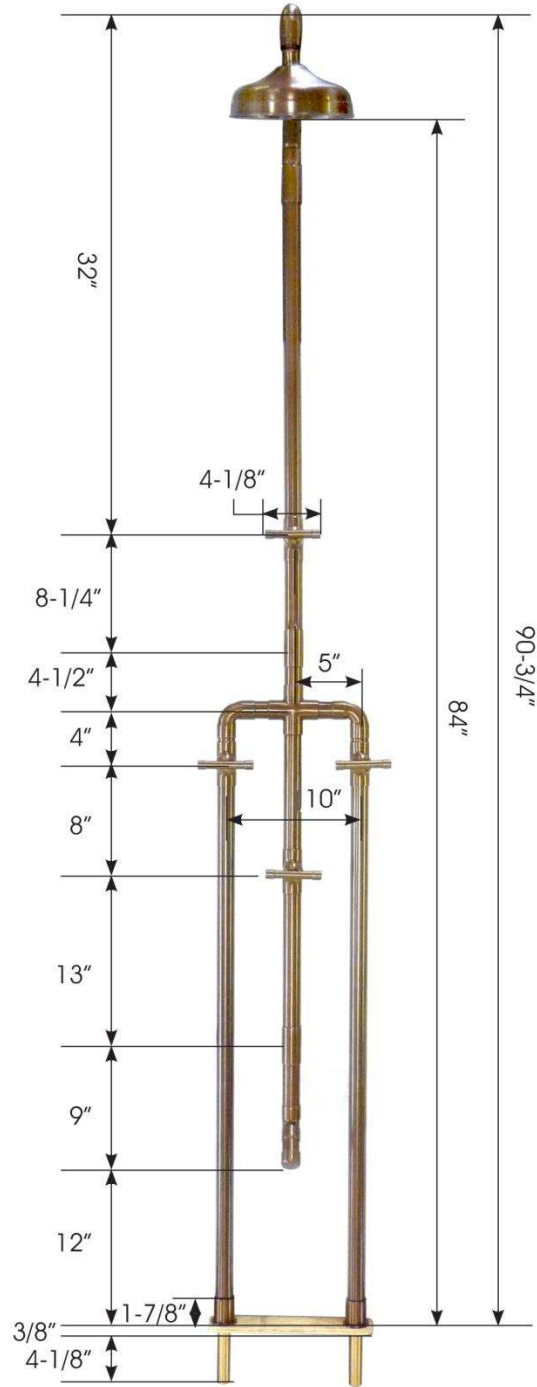
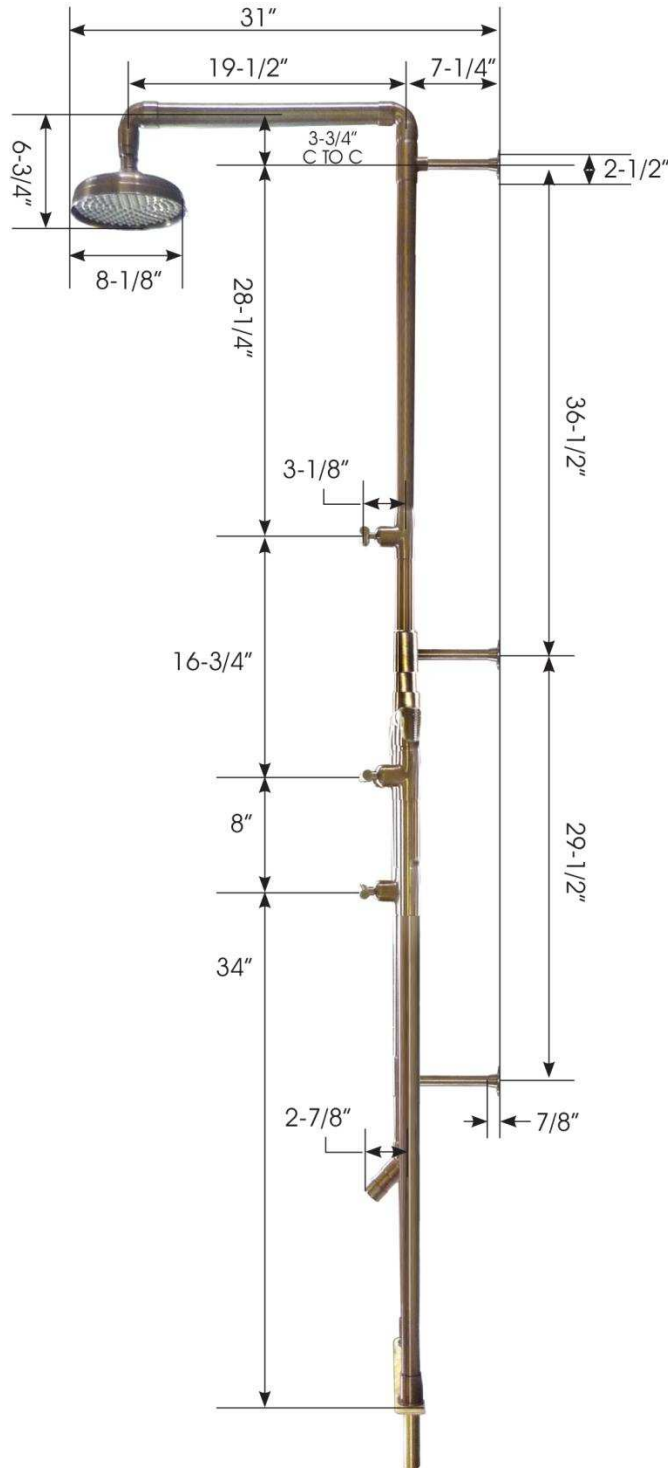




Jan 2014

# PRODUCT SPECIFICATIONS

Waterbridge Exposed Shower  
WB-SHW-1070



- ADA Compliant
- Offset and Cross handles available
- Custom sizes and finishes available

Connection	3/4" NPS
Valve	1/2" Ceramic
GPM	2.5